

Technical Data Sheet

CODE 11634

VORT HRW 20 MONO

Decentralised heat recovery unit



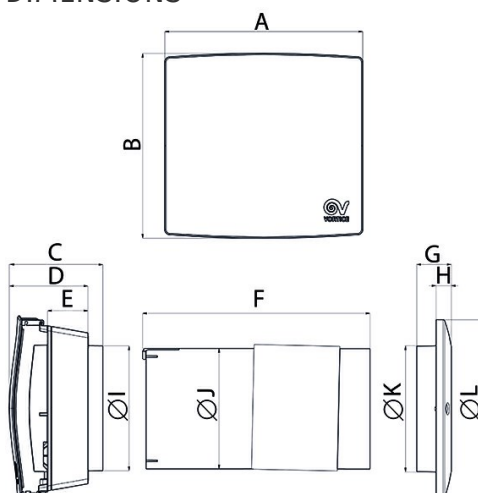
Certifications



TECHNICAL AND PERFORMANCE DATA

Absorbed Current max (A)	0.053	Delivery 1st speed (l/s)	2.77
Absorbed power 1st speed (W)	1.0	Delivery 1st speed (m³/h)	10.0
Absorbed Power max (W)	5.5	Delivery max (l/s)	11.1
Filter class	G3	Delivery max (m³/h)	40.0
Frequency (Hz)	50/60	Max delivery at max speed (l/s)	11.1
Insulation Class	II°	Max delivery at max speed (m³/h)	40.0
IP	X4	Maximum thermal efficiency (%)	90
Max ambient temperature for continuous operation (°C)	30	Pressure - 1st speed (mmH2O)	0.635
Max Temperature of Exhaust Air (Continuous Operation)	30	Pressure - 1st speed (Pa)	6.22
Max. absorbed Current at max. speed (A)	0.053	Pressure max - max speed (mmH2O)	4.1
Max. absorbed Current at min. speed (A)	0.015	Pressure max - max speed (Pa)	40.6
Max. absorbed power at max speed (W)	5.5	Pressure max (mmH2O)	4.1
Min ambient temperature for continuous operation (°C)	0	Pressure max (Pa)	40.6
Voltage (V)	220-240	Sound pressure level Lp in free field [dB(A)] 3 m max speed	23.6
Weight (Kg)	2.55	Sound pressure level Lp in free field [dB(A)] 3 m min speed	<16

DIMENSIONS



Size A (mm)	240
Size B (mm)	224
Size C (mm)	113
Size D (mm)	95
Size E (mm)	49
Size F (mm)	275
Size G (mm)	42
Size H (mm)	18
Size I (mm)	∅ 151
Size J (mm)	∅ 146
Size K (mm)	∅ 153
Size L (mm)	∅ 216

PER INFORMAZIONI:

Servizio al Cliente: tel +39 02 90699395 premendo 1 dopo messaggio registrato (consulenza su prodotti e impianti)

Pre & Post Vendita: fax +39 02 90699302

Email prevendita: prevendita@vortice-italy.com

Technical Data Sheet

CODE 11634

VORT HRW 20 MONO

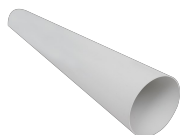
Decentralised heat recovery unit



DESCRIPTION

- Plastic (PPE) enclosure
- Inner panel in plastic polymer (ABS), lined with insulating material.
- Low voltage ball bearing EC (brushless) motor.
- 5 speeds corresponding to different airflow levels: 10 m³/h; 16 m³/h; 22 m³/h; 30 m³/h and 40 m³/h.
- High efficiency ceramic heat exchanger.
- Rubber made grille, with easy mount from inside.
- Mesh to be inserted at installation in the duct together with the external grille
- Nominal hole diameter: 160 mm
- Integrated washable G3 filter, easily accessible for maintenance.
- On-board commands for switching on/off and selection of operation mode.
- Compatible with wall wiring connection
- Electronic board with integrated power supply.
- Filter status indicator LED.
- 3 operation modes:
 - o Ventilation with heat recovery;
 - o Extraction;
 - o Intake.
- Possibility of automatic ventilation controlled by (optional) sensors.

ACCESSORIES



TUBO PVC
D.160 L=700
(HRW)
Code 22599



MWS
Code 21148



RGR
Code 21190



WA
Code 21191

PER INFORMAZIONI:

Servizio al Cliente: tel +39 02 90699395 premendo 1 dopo messaggio registrato (consulenza su prodotti e impianti)
Pre & Post Vendita: fax +39 02 90699302
Email prevendita: prevendita@vortice-italy.com